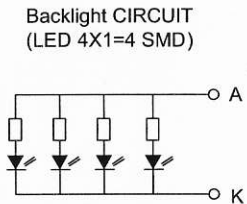
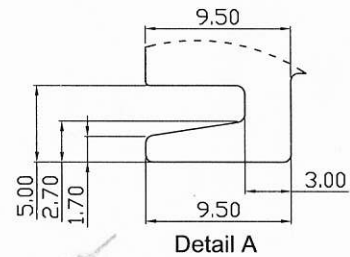
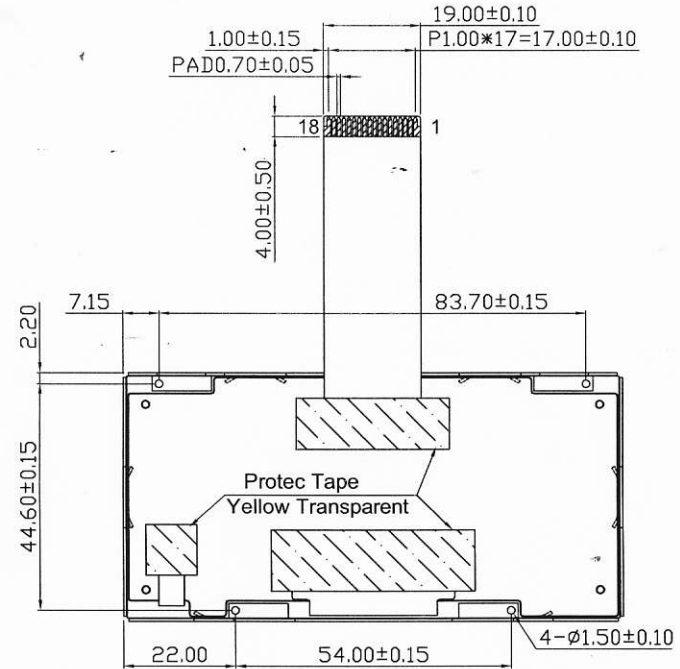
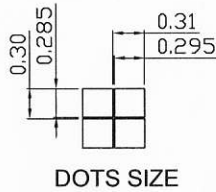
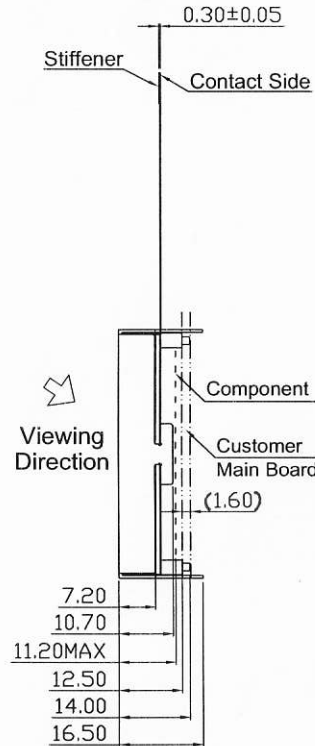
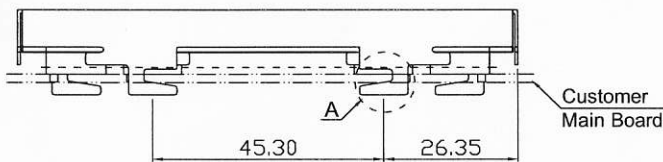
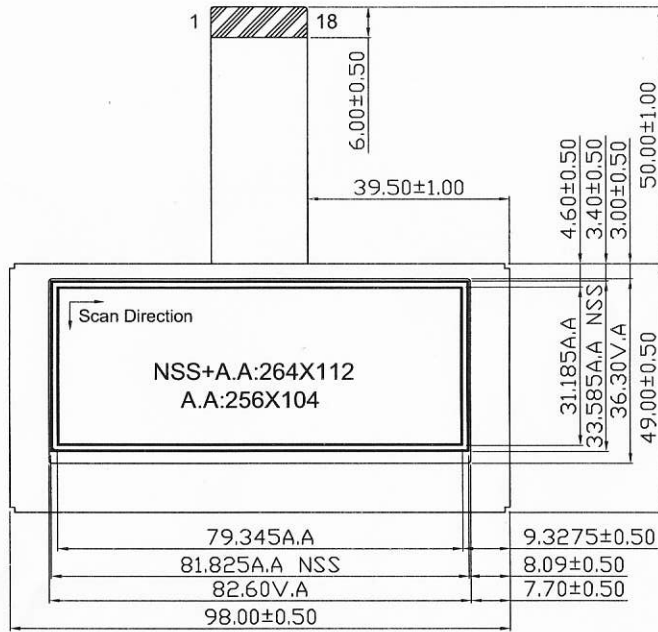
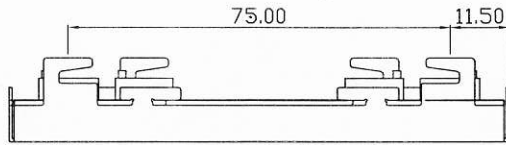


Count drawing & Spec.revision record during discussion with customer

Rec.	Revision content description	Date
#1	FIRST ISSUE	2014-11-21



FPC PINOUT	
PIN	NAME
1	CS
2	/RES
3	A0
4	/WR
5	/RD
6	D0
7	D1
8	D2
9	D3
10	D4
11	D5
12	D6
13	D7
14	VSS
15	NC
16	VDD
17	LEDA
18	LEDK

Specification:

1. Display mode: FSTN/White-Black mode /Positive/Transflective (Anti-Glare)
2. Drive condition: 1/112 Duty, 1/11 Bias, V_{DD} = 5.0V, V_{LC} = 17V,
3. Viewing direction: 120° clock
4. Operating temperature: -30°C to +75°C
Storage temperature: -30°C to +80°C
5. Drive IC is: ST7592
6. Unspecified tolerance: ±0.30mm.
7. Back Light: Color: White, V_f = 5.0V, I_f = 40-80mA (60mA TYP)
Colour chromaticity: x=0.26~0.33, y=0.26~0.33
8. ROHS compliant

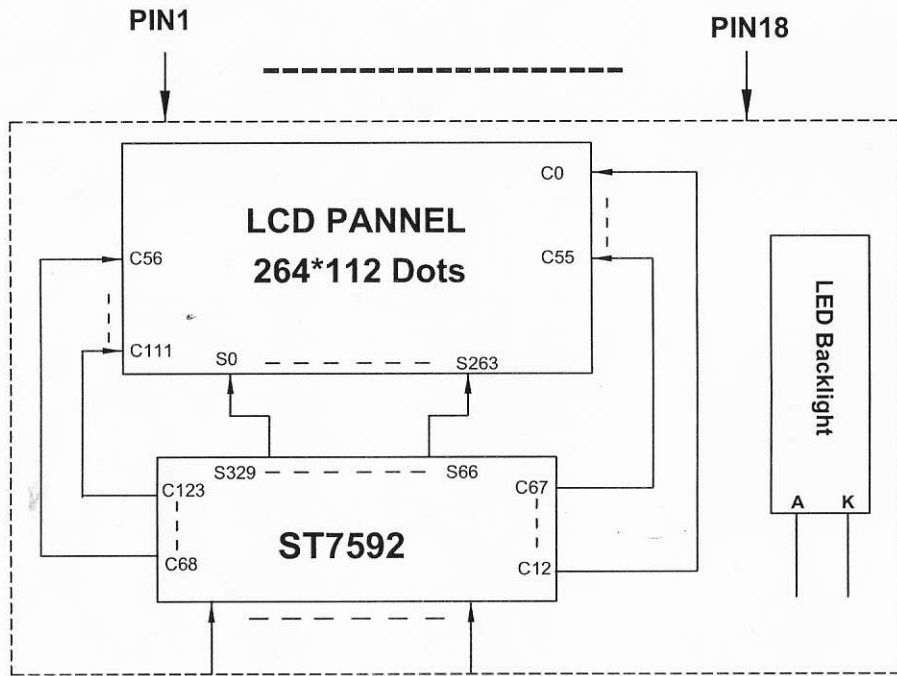
Customer Approval

TCC LCD				MOD. Name	SYG264112A-FBWD-G-G-A				Sheet	1
				DESIGNED	CHECKED	VERIFIED	APPROVED	FILE NAME	of	2
	UNIT	SIZE	SCALE					Count Dwg.		
	mm	A4	N-T-S							

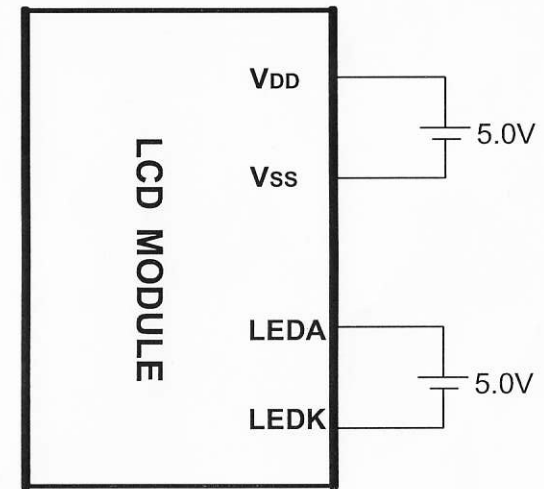
Count drawing & Spec.revision record during discussion with customer

Rec.	Revision content description	Date
#1	FIRST ISSUE	2014-11-21

BLOCK DIAGRAM



POWER SUPPLY



Customer Approval

TCC LCD				MOD. Name		SYG264112A-FBWD-G-G-A		Sheet	2
				DESIGNED		CHECKED	VERIFIED	APPROVED	Of
				UNIT	SIZE	SCALE	FILE NAME		
				mm	A4	N-T-S			
				關嘉良				Count Dwg.	
				2014-11-21					

TCC LCD